

VPX-D16A4-PCIE

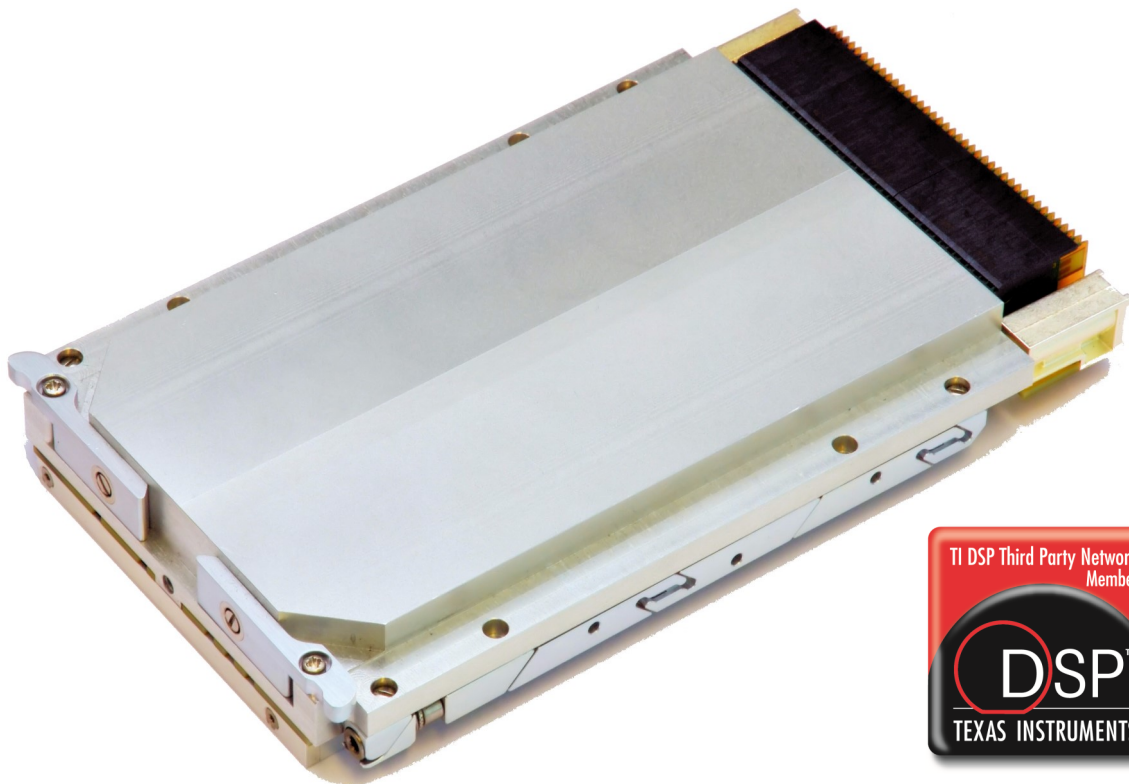
DATASHEET

State of the art ARM/DSP/FPGA module based on the latest Texas Instruments and Xilinx devices

3U OpenVPX card supporting PCIe, Ethernet, CPRI and MGT to backplane plus links to RF or analog I/O

Rugged VPX-REDI compliant design, available as either conduction cooled or air cooled

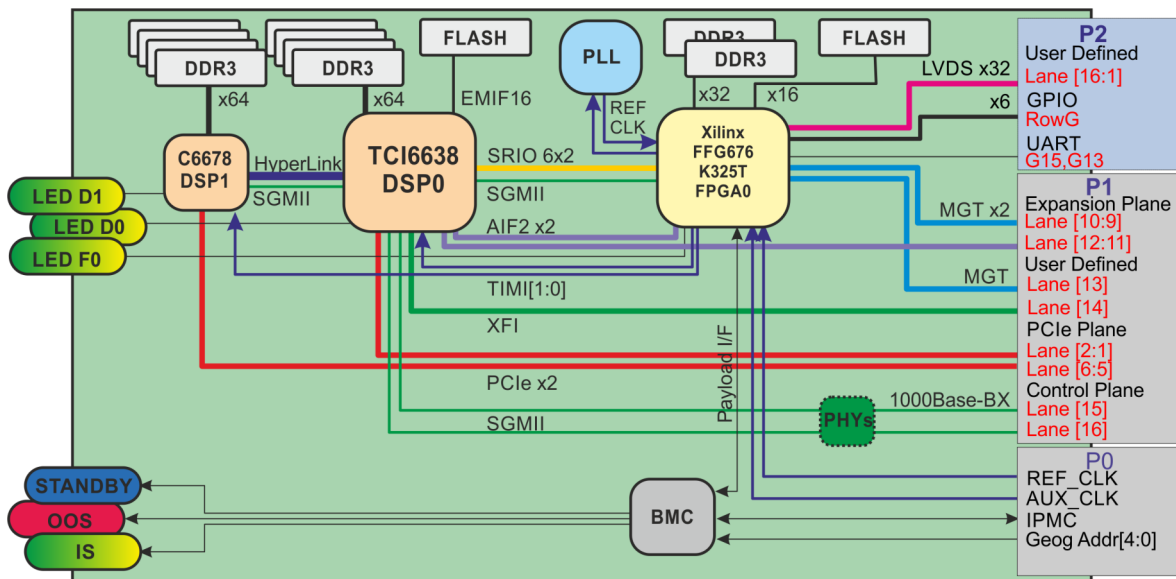
Full Linux BSP and example software support covering Linux, multicore DSP and FPGA co-processing



The VPX-D16A4-PCIE is a rugged high performance DSP/FPGA card in the compact VITA 65, 3U OpenVPX form factor. It is ideal for applications such as EW, SW radio, imaging or radar in harsh field deployment environments.

The card features 4x ARM A15 cores, 16x C66x+ DSP cores and various accelerators across two TI Keystone SoCs, each with its own large DDR3 memory bank and a 10Gbaud 2x PCIe link to the VPX backplane. They are closely coupled with the HyperLink bus. The main DSP has SRIO and CPRI links to a Xilinx Kintex-7 K325T FPGA, which has its own backplane MGT, LDVS, GPIO, serial ports and a flexible PLL, enabling I/O such as RF or ADC/DAC interfaces. All devices also have Gigabit Ethernet connectivity.

A full Linux BSP and example software support is provided to accelerate customer development, based on TI's Linux and Multicore Software Development Kit and the Xilinx Vivado FPGA development suite. In addition, CommAgility's field proven LTE software is available integrated with the card.



CommAgility Ltd
 sales@commagility.com
 www.commagility.com
 Tel: +44 1509 228866



HARDWARE SPECIFICATIONS

Form Factor:

- 3U OpenVPX card conforming to AV65-2010, 1" pitch and a payload profile of MOD3-PAY-2F2U-16.2.3-3
- Rugged conduction or air cooled
- Universal keying (unkeyed)

DSP0: Texas Instruments TCI6636/ 38 or 66AK2H12/14 KeystoneII DSP/ARM SoC

- 4 x 1.4 GHz ARM A15 cores
- 8 x 1.2 GHz C66x DSP cores
- Wireless accelerators (TCI parts only)
- 2 Gbytes x64 DDR3-1600 SDRAM
- 256 Mbytes x16 boot FLASH
- GigE to FPGA0, DSP1 and backplane
- HyperLink to DSP1 at up to 50 Gbaud
- 2x 5Gbaud Gen2 PCIe to backplane
- 4x 5Gbaud SRIO, 2x AIF2 to FPGA
- 10 GigE XFI to backplane (TCI6638/66AK2H14 only)

DSP1: Texas Instruments TMS320C6678 Keystone DSP SoC

- 8 x 1.25GHz C66x DSP cores
- 2 Gbytes x64 DDR3-1333 SDRAM
- GigE and HyperLink to DSP0
- 2x 5Gbaud Gen2 PCIe to backplane

FPGA: Xilinx Kintex-7 K325T

- FFG676 package allows K160T to K410T
- 1 Gbyte x32 DDR3-1600 SDRAM
- 256 Mbytes x16 FLASH; allows storage of multiple FPGA configuration images
- 3x MGT, 29x LVDS, UART to backplane
- I2C from each DSP for register access
- GigE to DSP0

Timing and sync:

- Timer, GPIO pins from FPGA to DSPs
- VPX REF_CLK and AUX_CLK inputs
- On-board PLL allows generation of high quality CPRI and RF clocks for DSP0, FPGA and backplane P2 connector

Debug: Connector for external debug breakout board with

- DSP and FPGA JTAG debug ports
- 2x RS232, to BMC and DSP0/FPGA0

Backplane I/O:

- Management and clocking to P0
- Two 2x PCIe links to P1 connector
- 3x FPGA MGT and dual GigE to P1
- 29x LDVS, 6x GPIO, UART to P2
- 2 PLL clock outputs to P2
- Powered from VS1 (+12V)

ENVIRONMENTAL

Conduction cooled:

- Compliant to VITA 48.2 (REDI)
- Meets VITA 47 category ECC3
- Operating temp -40 to 70°C at wedgelocks
- Non-operating temp -50 to +100°C

Air cooled:

- Compliant to VITA 48.1 (REDI)
- Meets VITA 47 category EAC3
- Operating temp -40 to 70°C ambient
- Non-operating temp -50 to +100°C

Product Compliance:

- Power consumption: 30W typical
- 2014/30/EU EMC compliant
- 2011/65/EU RoHS compliant

SOFTWARE/FIRMWARE

ARM cores: Linux BSP and drivers, Based on TI ARM Linux Multicore SDK with board specific additions and examples including FLASH upgrade

DSP cores: TI RTOS Kernel BSP and drivers, based on TI DSP Multicore SDK with board specific additions & examples

FPGA: Xilinx Vivado example/ default build which demonstrates board specific functionality and I/O, using Xilinx IP cores where appropriate.

All CommAgility developed software and firmware above is provided as source code to allow easy understanding and modification by customers, speeding application development.

BMC: Embedded software suite including I2C management interface, board control and FRU EEPROM data storage

LTE PHY: SmallCellPHY-TI is available fully integrated and tested, minimising customer development work.



CommAgility Ltd, Loughborough, UK
Tel: +44 1509 228866
World-wide support details:

sales@commagility.com
www.commagility.com

WARRANTY:
All CommAgility products have a standard 2 year hardware warranty

Extended warranty up to 5 years is available, plus stocking of spares and advance replacement services to reduce downtime

OEM DEVELOPMENT SERVICES:
Support and training; hardware customisation; software and FPGA development.

LIFECYCLE AND SUPPLY ASSURANCE:
Obsolescence management; guaranteed lifecycle; Escrow.

LICENSING can be offered for very high volume projects.